

Oval tubular handles

Mounting from the back side

SPECIFICATION

Handle tube
Aluminium

Handle shanks
Zinc die casting
plastic coated

Tube **SW**
plastic coated
black, RAL 9005, textured finish
Handle shanks
black, RAL 9005, textured finish

Tube **EL**
anodized, natural colour
Handle shanks
black, RAL 9005, textured finish

Tube **ES**
anodized, natural colour
Handle shanks
silver, RAL 9006, textured finish

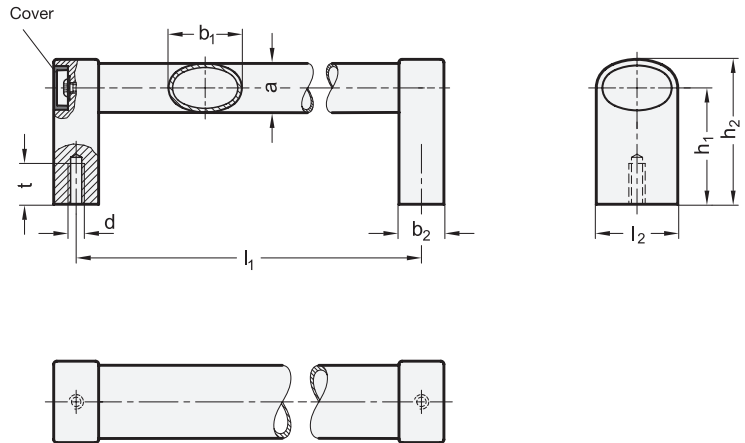
Cover caps
plastic, light grey

INFORMATION

Oval tubular handles GN 334.1 are highly stable.
The handle tube can be mounted without any further machining,
allowing **special lengths** to be realised easily.

TECHNICAL INFORMATION

- Load rating information (see page A35)



* Complete with Finish of the Oval tubular handles (SW, EL or ES)

SW	EL	ES
black	anodized, black	anodized, silver

GN 334

Description	b_1	$l_1 \pm 0.5$	a	b_2	d	h_1	h_2	l_2	t min.	Δ
GN 334-36-200-*	36	200	24	22	M 8	57	71	40	15	480
GN 334-36-250-*	36	250	24	22	M 8	57	71	40	15	522
GN 334-36-300-*	36	300	24	22	M 8	57	71	40	15	564
GN 334-36-350-*	36	350	24	22	M 8	57	71	40	15	606
GN 334-36-400-*	36	400	24	22	M 8	57	71	40	15	648
GN 334-36-500-*	36	500	24	22	M 8	57	71	40	15	732
GN 334-36-600-*	36	600	24	22	M 8	57	71	40	15	800
GN 334-36-800-*	36	800	24	22	M 8	57	71	40	15	968